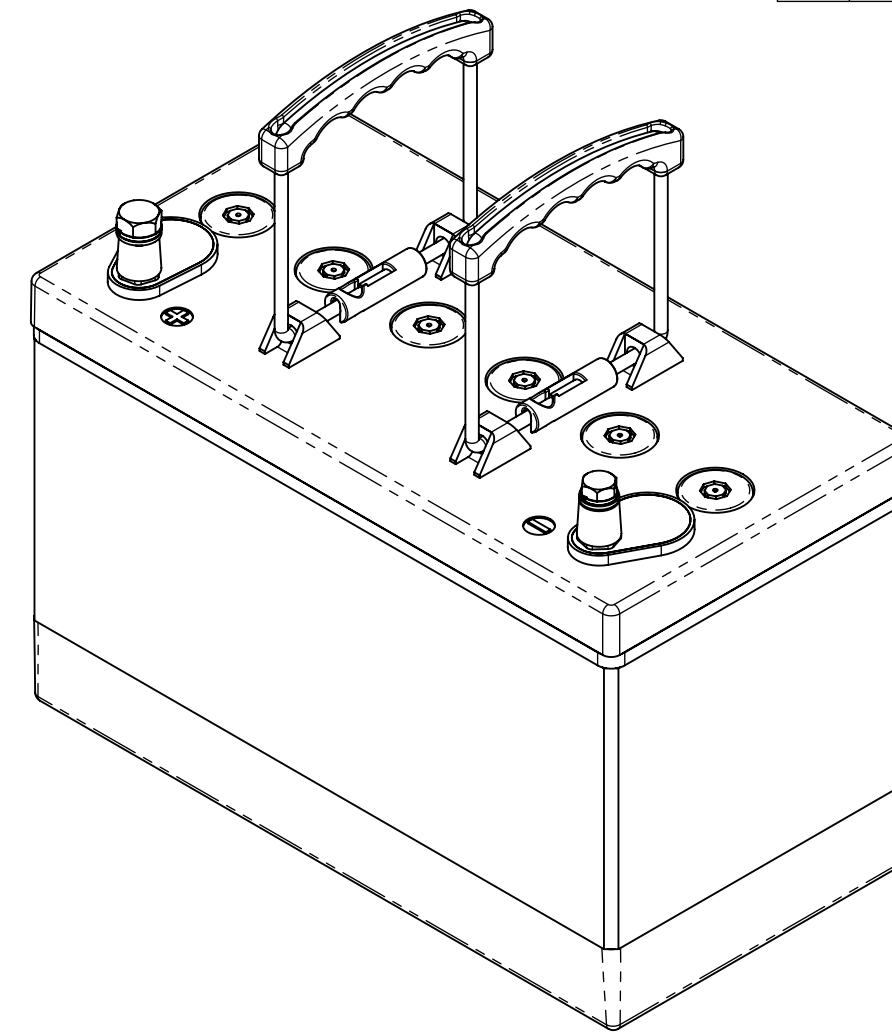
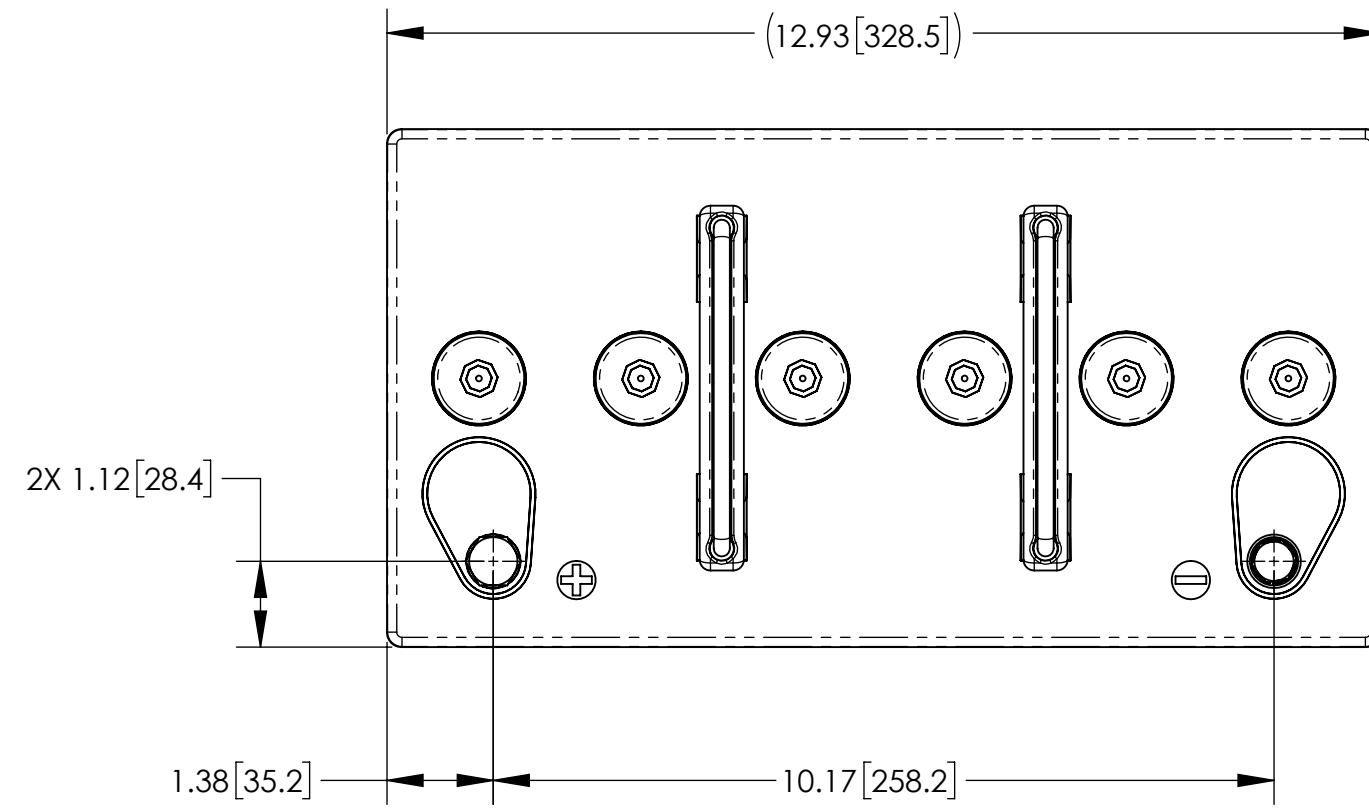


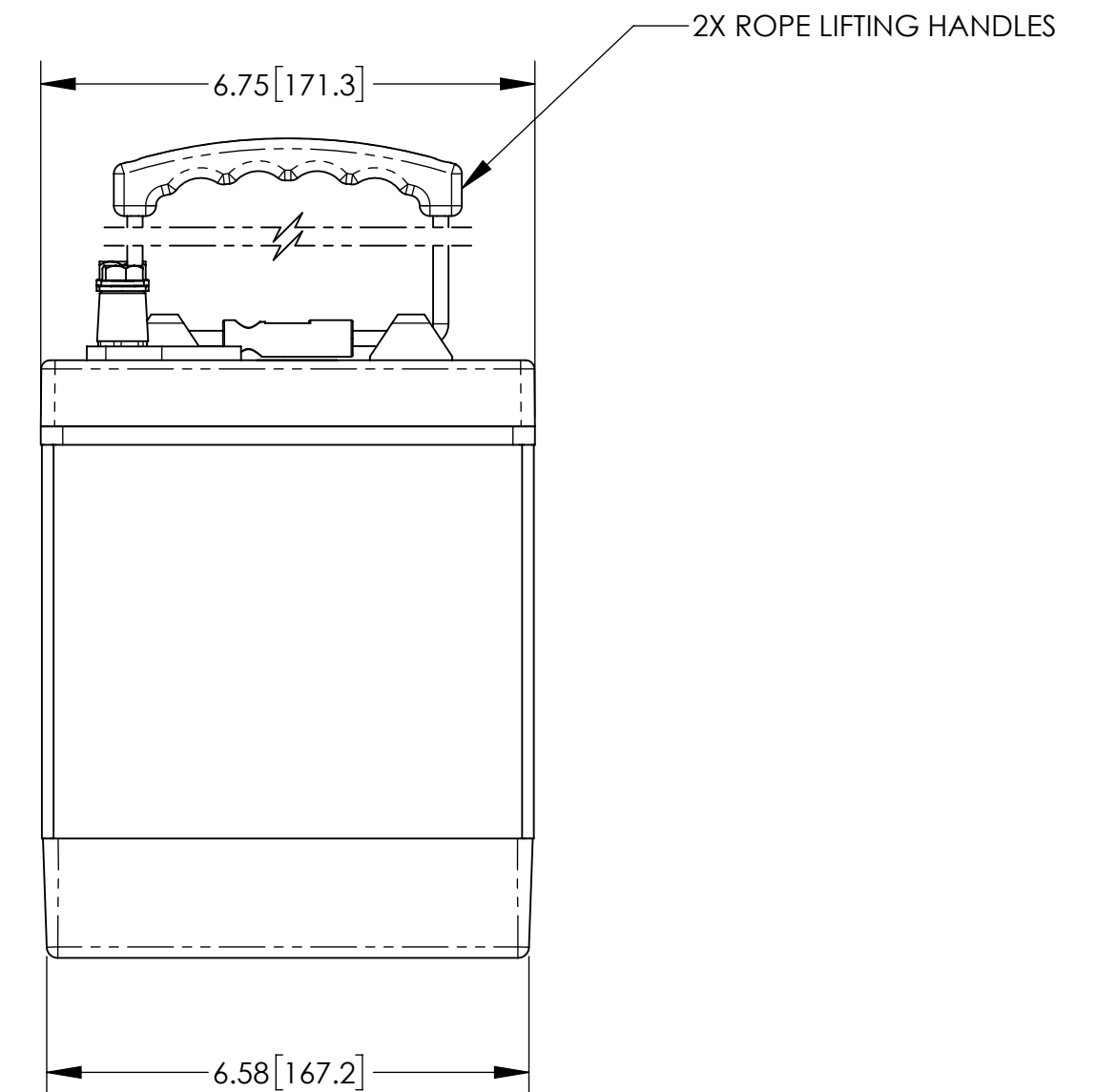
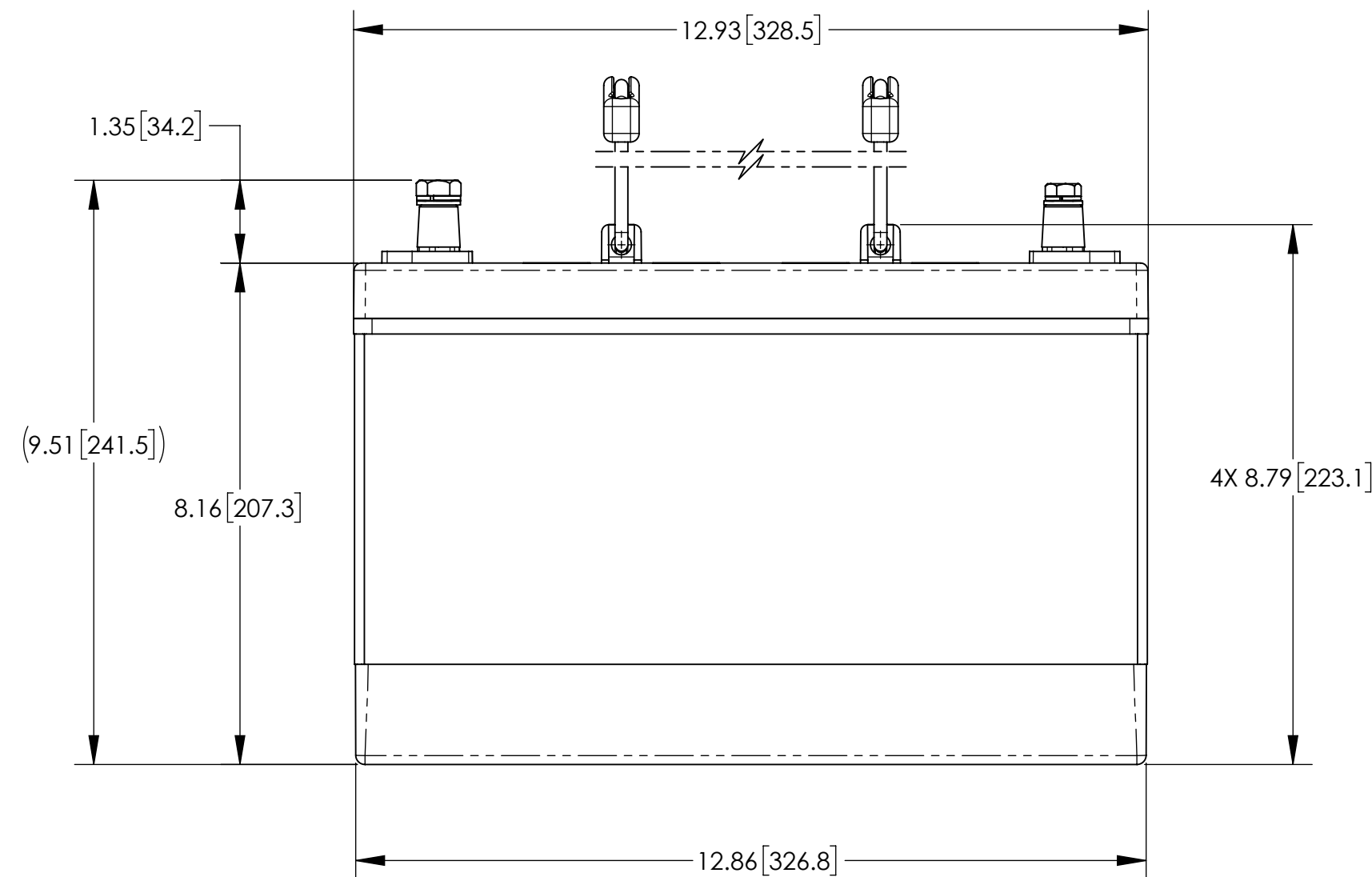
NOTES: UNLESS OTHERWISE SPECIFIED

1. SEE DRAWING NO. CB-00290 AND PROCEDURE P-1000 FOR ASSEMBLY AND TEST INSTRUCTION. PROCEDURES AND ASSEMBLY DRAWINGS ARE FOR INTERNAL USE ONLY.
2. ALL TESTING IS PERFORMED IAW BATTERY COUNCIL INTERNATIONAL STANDARDS.
3. ALL DIMENSIONS ARE INCH [MM]

REVISIONS			
REV	DESCRIPTION	DATE	APPROVED
A	REDESIGNED COVER	1/24/18	PH



ISOMETRIC VIEW



CAPACITY RATINGS	
PART NUMBER	GPL-31XT
NOMINAL WEIGHT	74 LBS [33.6 KG]
AMPERE HOUR CAPACITY @ 20 HOUR 1.75 VOLTS/CELL @ 77°F (25°C)	125 AH
MINUTES OF DISCHARGE @ 25 AMPS 1.75 VOLTS/CELL @ 77°F (25°C)	230 MIN

ENVELOPE DRAWING

UNLESS OTHERWISE SPECIFIED DIMENSIONS ARE IN INCHES TOLERANCES ARE:			CONTRACT NO.		CONCORDE BATTERY CORPORATION 2009 SAN BERNARDINO RD, W. COVINA, CA 91790		
FRACTIONS	DECIMALS	ANGLES	APPROVALS	DATE	TITLE		
±1/32	.XX ±.06 .XXX ±.060	±1°	DRAWN	D. AYALA	5/16/11	BATTERY, 12 VOLT, GPL-31XT	
TREATMENT	NONE		CHECKED	AMIII	5/16/11	SIZE	CAGE CODE
FINISH	NONE		APPROVED	DV	5/17/11	C	63017
SIMILAR TO	CALC WT		ISSUED	JG	1/25/18	DWG NO.	GPL-31XT
						SCALE	1:2.5
						SHEET	1 OF 1