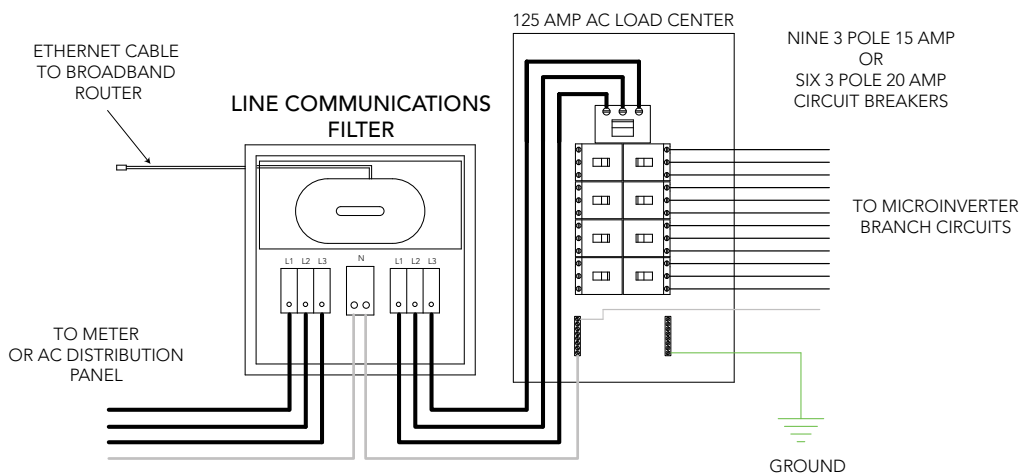


For commercial applications, Enphase Line Communications Filters (LCFs) are used to separate networking domains across the site. Just as with the Envoy, the LCF collects monitoring data gathered from the Enphase Microinverters and transmits that data to the Enlighten website for monitoring and analysis.

Each Enphase LCF contains an Envoy and a single electrical receptacle for powering it. The LCF also contains terminations for phase conductor lines in and out. By running phase conductors through the LCF, it filters the communication and eliminates any potential inter-Envoy crosstalk.



LCF — LINE COMMUNICATION FILTER DATA

Unit Ratings		ELCF-120-001
Operating Voltage		208/240 Vac
Maximum Voltage		600 Vac
Continuous Current		100 Amps
Maximum Overcurrent Protection Device		125 Amps
Short Circuit Current		10kA rms symmetrical
Number of Microinverters Supported		
208 Vac three-phase, approx 36 kW AC		Microinverters Supported
M215-60		166
M190-72		189
M210-84		171
240 Vac single-phase, approx 24 kW AC		
M215-60		111
M190-72		126
M210-84		114
Terminal Block Data		
L1, L2, L3		Single 2/0 maximum
Neutral		2/0 maximum and 350 mcm maximum
Equipment grounding		4 AWG maximum
Mechanical Data		
Operating temperature range		-40°C to +65°C
Power consumption		5 W
Dimensions (WxHxD)		15.75" x 15.75" x 6.00"
Weight		30.5 lbs
Cooling		Natural convection – no fans
Enclosure environmental rating		Outdoor – NEMA TYPE 4
Features		
Communications interface		Ethernet, 10/100 auto-sensing, auto-negotiating
Warranty		One year
Compliance		UL508A

Enphase Energy, Inc.

201 1st Street
Petaluma, CA 94952
Phone: 877-797-4743
Fax: 707-763-0784

info@enphaseenergy.com
<http://www.enphase.com>

142-00009 Rev 02

For product and purchasing inquiries contact:

ecoDIRECT

CLEAN ENERGY SOLUTIONS

www.ecodirect.com