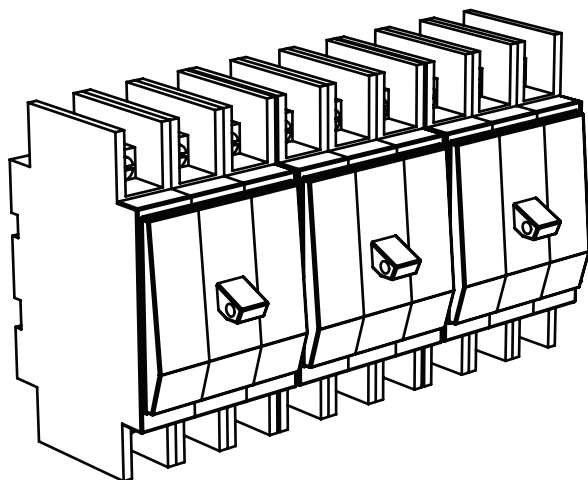


# Conext Three-Phase Breaker Kit Installation Guide

## 865-1315-01

www.SEsolar.com

3-Pole, 60 Amp, 120/208 VAC circuit breakers and parts for additional Conext XW+ inverter/chargers with PDP



### A Important Safety Information

This Guide is intended for anyone who needs to operate, configure, and troubleshoot the Conext XW+ Inverter/Charger. Certain configuration tasks should only be performed by qualified personnel in consultation with your local utility and/or an authorized dealer. Electrical equipment should be installed, operated, serviced, and maintained only by qualified personnel. Servicing of batteries must only be performed or supervised by qualified personnel with knowledge of batteries and their required precautions.

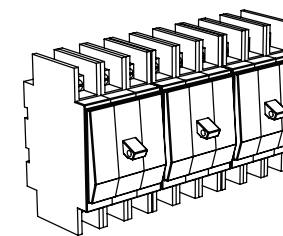
Qualified personnel have training, knowledge, and experience in:

- Installing electrical equipment
- Applying applicable installation codes
- Analyzing and reducing the hazards involved in performing electrical work
- Installing and configuring batteries
- Selecting and using Personal Protective Equipment (PPE)

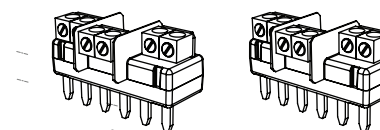
No responsibility is assumed by Schneider Electric for any consequences arising out of the use of this material.

1. Before using the inverter, read all instructions and cautionary markings on the unit, the batteries, and all appropriate sections of this manual.
2. Use of accessories not recommended or sold by the manufacturer may result in a risk of fire, electric shock, or injury to persons.
3. The inverter is designed to be permanently connected to your AC and DC electrical systems. The manufacturer recommends that all wiring be done by a certified technician or electrician to ensure adherence to the local and national electrical codes applicable in your jurisdiction.
4. To avoid a risk of fire and electric shock, make sure that existing wiring is in good condition and that wire is not undersized. Do not operate the inverter with damaged or substandard wiring. Do not operate the inverter if it has been damaged in any way.
5. This unit does not have any user-serviceable parts. Do not disassemble the inverter except where noted for connecting wiring and cabling. See your warranty for instructions on obtaining service. Attempting to service the unit yourself may result in a risk of electrical shock or fire. Internal capacitors remain charged after all power is disconnected.
6. To reduce the risk of electrical shock, disconnect both AC and DC power from the inverter before attempting any maintenance or cleaning or working on any components connected to the inverter. Putting the unit in Standby mode will not reduce this risk.
7. The inverter must be provided with an equipment-grounding conductor connected to the AC input ground.
8. Do not expose this unit to rain, snow, or liquids of any type. This product is designed for indoor use only. Damp environments will significantly shorten the life of this product and corrosion caused by dampness will not be covered by the product warranty.
9. To reduce the chance of short-circuits, always use insulated tools when installing or working with this equipment.
10. Remove personal metal items such as rings, bracelets, necklaces, and watches when working with electrical equipment.

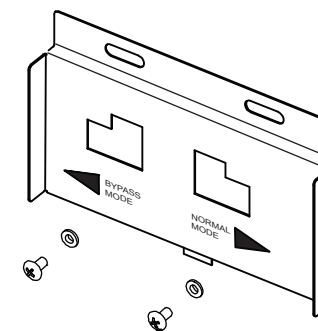
### B Materials List



3 x 3-pole, 60 Amp 120/208 VAC circuit breakers (Square D QOU360)



2 x power distribution jumpers for connecting and additional inverter/chargers to the utility grid and AC loads. These replace factory-installed jumpers.



Three-phase bypass interlock plate and mounting hardware

#### Installer provided tools and materials:

- Phillips head screwdriver
- Slotted head screwdriver

### A Important Safety Information

#### Read and Save These Instructions - Do Not Discard

This Guide contains important safety instructions for the Conext XW+ Inverter/Charger that must be followed during installation procedures. Read and keep this Installation Guide for future reference.

Read these instructions carefully and look at the equipment to become familiar with the device before trying to install, operate, service or maintain it. The following special messages may appear throughout this bulletin or on the equipment to warn of potential hazards or to call attention to information that clarifies or simplifies a procedure.

The addition of either symbol to a "Danger" or "Warning" safety label indicates that an electrical hazard exists which will result in personal injury if the instructions are not followed.

This is the safety alert symbol. It is used to alert you to potential personal injury hazards. Obey all safety messages that follow this symbol to avoid possible injury or death.

#### DANGER

DANGER indicates a hazardous situation which, if not avoided, will result in death or serious injury.

#### WARNING

WARNING indicates a hazardous situation which, if not avoided, could result in death or serious injury.

#### CAUTION

CAUTION indicates a hazardous situation which, if not avoided, could result in minor or moderate injury.

#### NOTICE

NOTICE is used to address practices not related to physical injury. The safety alert symbol shall not be used with this signal word.

### DANGER

#### HAZARD OF ELECTRIC SHOCK, EXPLOSION, OR ARC FLASH

- Apply appropriate personal protective equipment (PPE) and follow safe electrical work practices. See NFPA 70E or CSA Z462.
- This equipment must only be installed and serviced by qualified electrical personnel.
- Never operate energized with covers removed
- Energized from multiple sources. Before removing covers identify all sources, de-energize, lock-out, and tag-out and wait 2 minutes for circuits to discharge
- Always use a properly rated voltage sensing device to confirm all circuits are de-energized.

**Failure to follow these instructions will result in death or serious injury.**

#### HAZARD OF ELECTRIC SHOCK, EXPLOSION, OR ARC FLASH

Batteries can present a risk of electric shock and high short-circuit current. The following precautions must be observed when working with batteries:

- Remove watches, rings or other metal objects.
- Use tools with insulated handles.
- Wear protective glasses, gloves and boots.
- Do not lay tools or other metal parts on top of batteries.
- Disconnect the charging source prior to connecting or disconnecting battery terminals.

**Failure to follow these instructions will result in death or serious injury.**

#### HAZARD OF ELECTRIC SHOCK, EXPLOSION, OR ARC FLASH

- Battery Circuit Breakers must be installed according to the specifications and requirements specified by Schneider Electric.
- Servicing of batteries must only be performed by qualified personnel and the required precautions. Keep unqualified personnel away from batteries.

**Failure to follow these instructions will result in death or serious injury.**

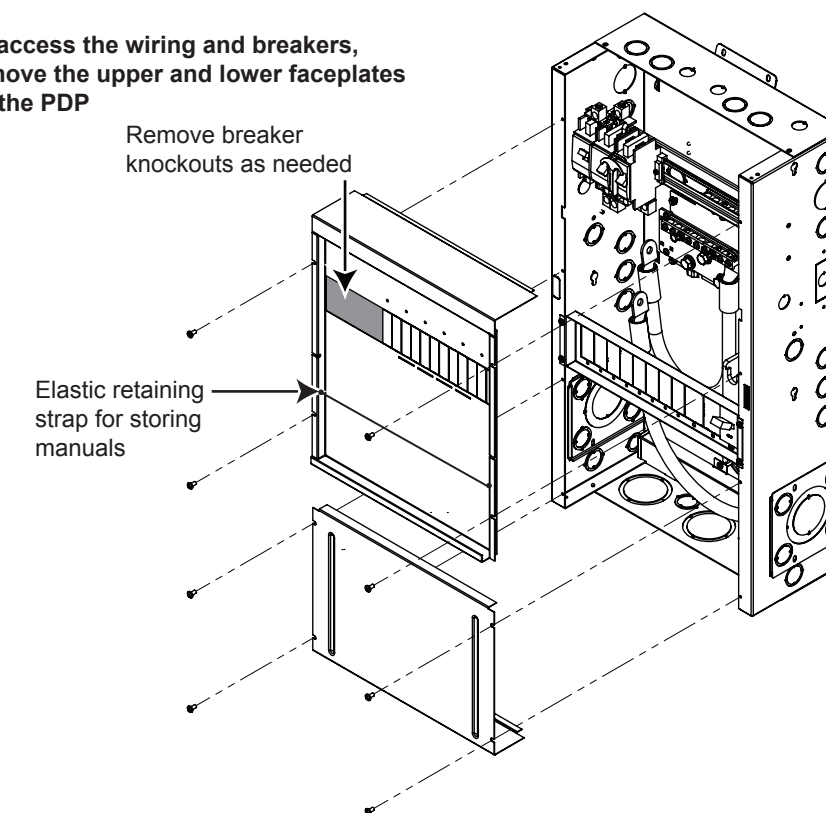
#### Contact Information

www.schneider-electric.com

Please contact your local Schneider Electric Sales Representative or visit the Schneider Electric website at: <http://www.SEsolar.com>

### C Removing the PDP Upper Faceplate

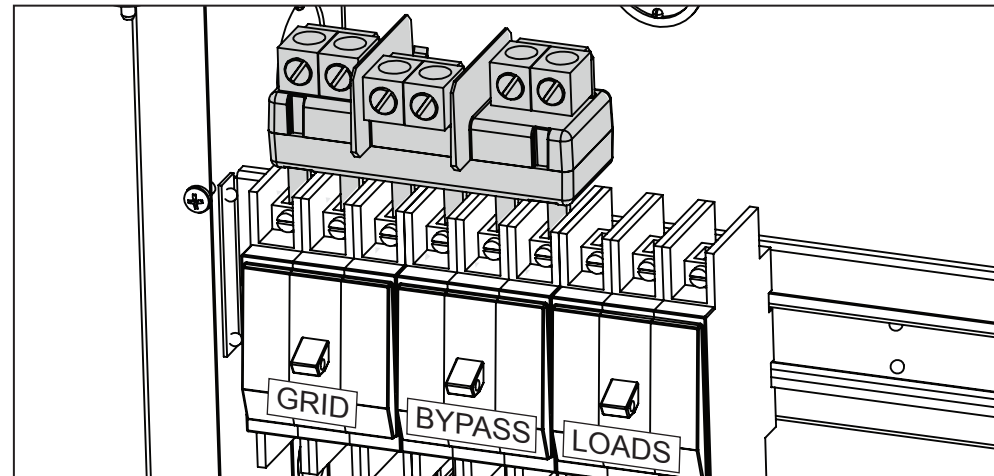
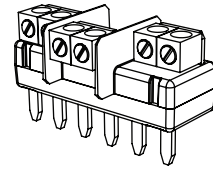
To access the wiring and breakers, remove the upper and lower faceplates on the PDP



**D AC Breaker Jumpers – Installation**

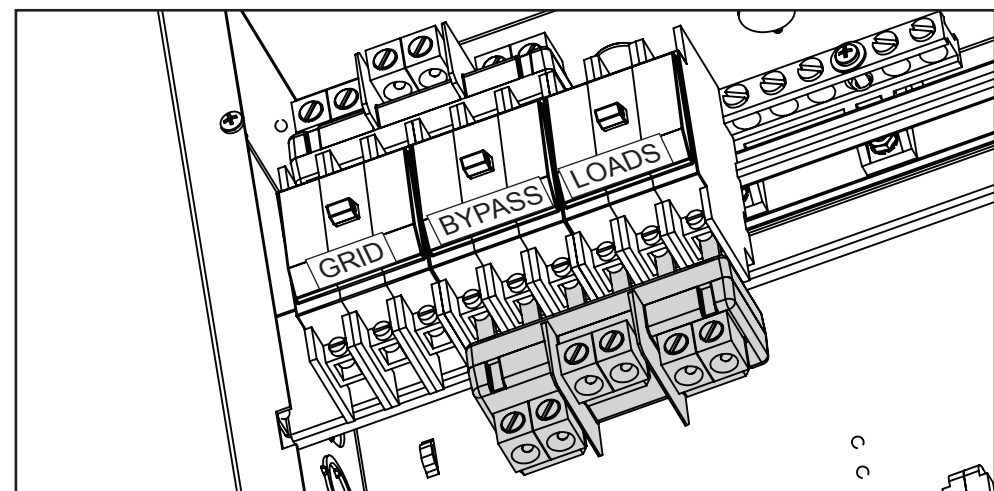
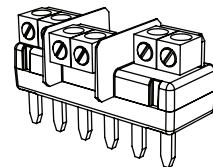
**1 Install the grid jumper**

1. Install the grid jumper in the top three GRID and BYPASS breaker slots
2. Make sure the jumper is seated firmly in all six positions.
3. Tighten screws according to the breaker manufacturer recommended torque values.



**2 Install the load jumper**

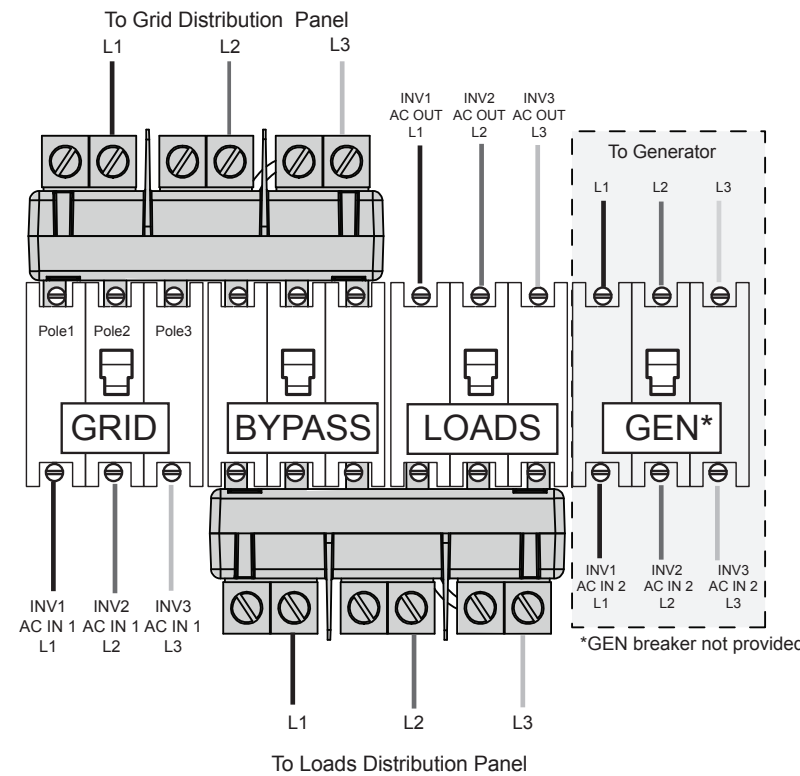
1. Install the load jumper in the bottom three BYPASS and LOAD breaker slots.
2. Make sure the jumper is seated firmly in all six positions.
3. Tighten screws according to the breaker manufacturer recommended torque values.



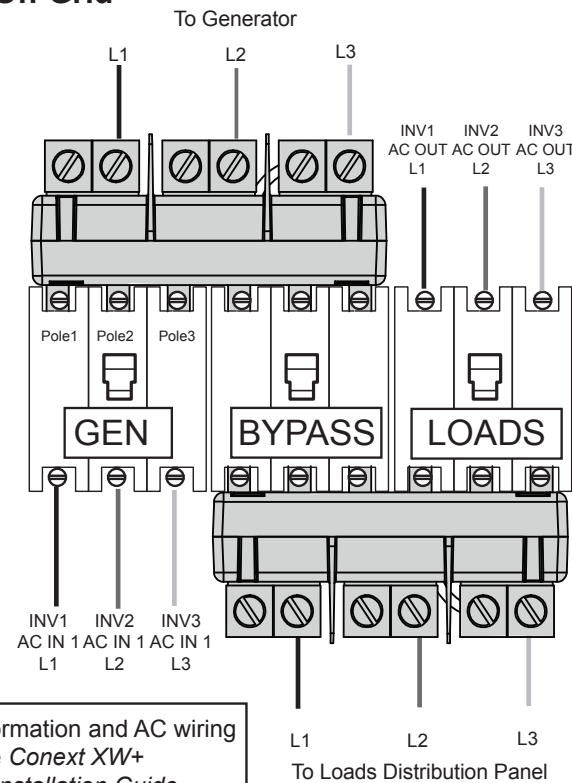
**E AC Breaker Wiring**

**NOTE:** Three-phase systems use one inverter/charger per phase.

**Three Phase Grid Tie**

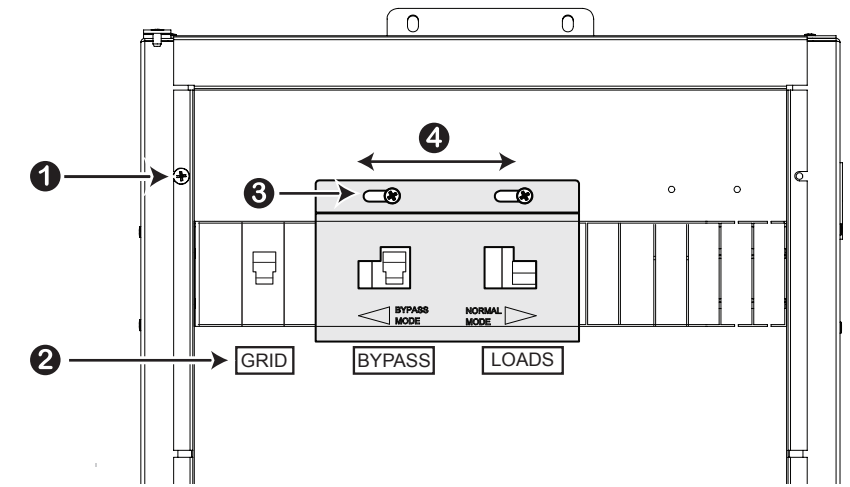


**Three Phase Off Grid**



For additional information and AC wiring diagrams, see the *Conext XW+ Inverter/Charger Installation Guide*.

**F Bypass Interlock Plate**



- 1** Replace the upper and lower faceplates on the PDP. Do not over-tighten the screws.
- 2** Attach the breaker labels supplied with the PDP.
- 3** Place the bypass interlock plate over the bypass breakers and secure with the screws and washers provided.
- 4 Normal position:** Slide the plate to the right to turn the BYPASS breaker off and the LOADS breaker on.  
**Bypass position:** Slide the plate to the left to turn the BYPASS breaker on.

**Exclusion for Documentation**

UNLESS SPECIFICALLY AGREED TO IN WRITING, SELLER (A) MAKES NO WARRANTY AS TO THE ACCURACY, SUFFICIENCY OR SUITABILITY OF ANY TECHNICAL OR OTHER INFORMATION PROVIDED IN ITS MANUALS OR OTHER DOCUMENTATION; (B) ASSUMES NO RESPONSIBILITY OR LIABILITY FOR LOSSES, DAMAGES, COSTS, OR EXPENSES, WHETHER SPECIAL, DIRECT, INDIRECT, CONSEQUENTIAL OR INCIDENTAL, WHICH MIGHT ARISE OUT OF THE USE OF SUCH INFORMATION. THE USE OF ANY SUCH INFORMATION WILL BE ENTIRELY AT THE USER'S RISK, AND (C) REMINDS YOU THAT IF THIS MANUAL IS IN ANY LANGUAGE OTHER THAN ENGLISH, ALTHOUGH STEPS HAVE BEEN TAKEN TO MAINTAIN THE ACCURACY OF THE TRANSLATION, THE ACCURACY CANNOT BE GUARANTEED, APPROVED CONTENT IS CONTAINED WITH THE ENGLISH LANGUAGE VERSION WHICH IS POSTED AT WWW.SCHNEIDER-ELECTRIC.COM.