



# KuDymond

## HIGH EFFICIENCY MONO PERC MODULE

### CS3K-300 | 305 | 310 | 315MS-FG

#### (1000 V / 1500 V)

Canadian Solar's KuDymond CS3K-MS-FG module is a high power double-glass module with industry leading mono-PERC cell technology and the innovative LIC (Low Internal Current) module technology.

The KuDymond mono-PERC modules can reach up to 315 W with the following unique features:

- **Higher** power classes for equivalent module sizes
- **High** module efficiency up to 18.96 %
- **LOW** hot spot temperature risk
- **LOW** temperature coefficient (Pmax): -0.37 % / °C
- **LOW NMOT** (Nominal Module Operating Temperature):  $41 \pm 3$  °C



**Low NMOT:**  $41 \pm 3$  °C  
**Low temperature coefficient (Pmax):** -0.37 % / °C



**Lower hot spot temperature**



**Minimizes micro-cracks and prevents snail trails**



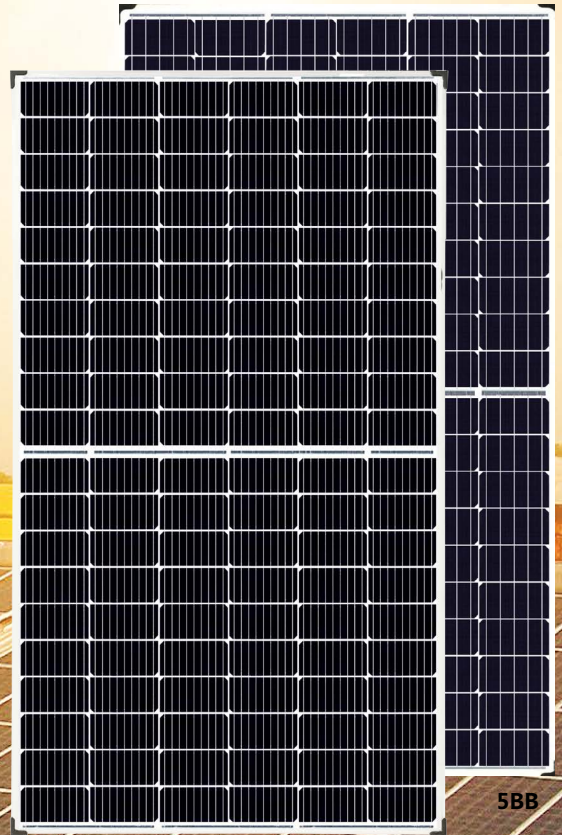
**Heavy snow load up to 5400 Pa, wind load up to 2400 Pa**



**Fire Class A and Type 3 / Type 13 certified according to IEC 61730-2 / MST 23 and UL 1703**



**Low BoS cost with 1500 VDC system voltage**



\*Transparent doubleglass module can be provided upon request.



**linear power output warranty**



**product warranty on materials and workmanship**

#### PRODUCT CERTIFICATES\*

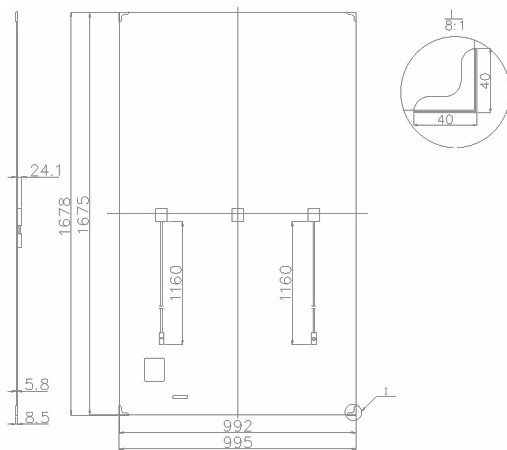
IEC 61215 / IEC 61730: VDE / CE



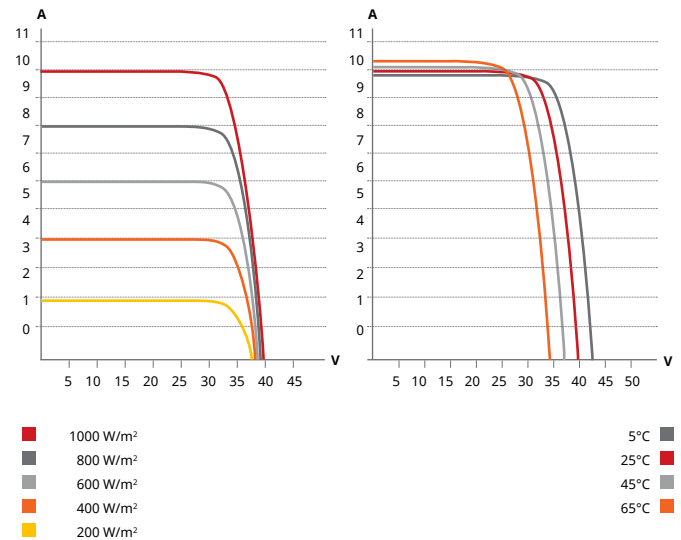
\* If you need specific product certificates, and if module installations are to deviate from our guidance specified in our installation manual, please contact your local Canadian Solar sales and technical representatives.

## ENGINEERING DRAWING (mm)

### Rear View



## CS3K-305MS-FG / I-V CURVES



### ELECTRICAL DATA | STC\*

CS3K	300MS-FG	305MS-FG	310MS-FG	315MS-FG
Nominal Max. Power (Pmax)	300 W	305 W	310 W	315 W
Opt. Operating Voltage (Vmp)	32.5 V	32.7 V	32.9 V	33.1 V
Opt. Operating Current (Imp)	9.24 A	9.33 A	9.43 A	9.52 A
Open Circuit Voltage (Voc)	39.3 V	39.5 V	39.7 V	39.9 V
Short Circuit Current (Isc)	9.82 A	9.90 A	9.98 A	10.06 A
Module Efficiency	18.05%	18.36%	18.66%	18.96%
Operating Temperature	-40°C ~ +85°C			
Max. System Voltage	1500V (IEC) or 1000V (IEC/UL)			
Module Fire Performance	TYPE 3 / Type 13 (UL 1703) or CLASS A (IEC61730)			
Max. Series Fuse Rating	30 A			
Application Classification	Class A			
Power Tolerance	0 ~ + 5 W			

\* Under Standard Test Conditions (STC) of irradiance of 1000 W/m<sup>2</sup>, spectrum AM 1.5 and cell temperature of 25°C.

### ELECTRICAL DATA | NMOT\*

CS3K	300MS-FG	305MS-FG	310MS-FG	315MS-FG
Nominal Max. Power (Pmax)	224 W	228 W	231 W	235 W
Opt. Operating Voltage (Vmp)	30.2 V	30.3 V	30.5 V	30.7 V
Opt. Operating Current (Imp)	7.42 A	7.50 A	7.58 A	7.65 A
Open Circuit Voltage (Voc)	37.0 V	37.1 V	37.3 V	37.5 V
Short Circuit Current (Isc)	7.92 A	7.98 A	8.05 A	8.11 A

\* Under Nominal Module Operating Temperature (NMOT), irradiance of 800 W/m<sup>2</sup> spectrum AM 1.5, ambient temperature 20°C, wind speed 1 m/s.

### MECHANICAL DATA

Specification	Data
Cell Type	Mono-crystalline, 156.75 X 78.38 mm
Cell Arrangement	120 [2 x (10 x 6) ]
Dimensions	1675 X 992 X 5.8 mm (65.9 X 39.1 X 0.23 in) without J-Box and corner protector
(Incl. corner protector)	1678 X 995 X 8.5 mm (66.1 X 39.2 X 0.33 in) without J-Box
Weight	24 kg (52.9 lbs)
Front / Back Glass	2.5 mm heat strengthened glass
Frame	Frameless
J-Box	IP68, 3 bypass diodes
Cable	4.0 mm <sup>2</sup> (IEC), 12 AWG (UL), 1160 mm (45.7 in)
Connector	T4 series
Per Pallet	33 pieces
Per Container (40' HQ)	858 pieces

### TEMPERATURE CHARACTERISTICS

Specification	Data
Temperature Coefficient (Pmax)	-0.37 % / °C
Temperature Coefficient (Voc)	-0.29 % / °C
Temperature Coefficient (Isc)	0.05 % / °C
Nominal Module Operating Temperature	41 ± 3°C

### PARTNER SECTION



\* The specifications and key features contained in this datasheet may deviate slightly from our actual products due to the on-going innovation and product enhancement. Canadian Solar Inc. reserves the right to make necessary adjustment to the information described herein at any time without further notice.

### CANADIAN SOLAR INC.

545 Speedvale Avenue West, Guelph, Ontario N1K 1E6, Canada, [www.canadiansolar.com](http://www.canadiansolar.com), [support@canadiansolar.com](mailto:support@canadiansolar.com)