
Freedom SW Remote Adapter Installation Guide

975-0731-01-01
Rev A

PN: 808-9010

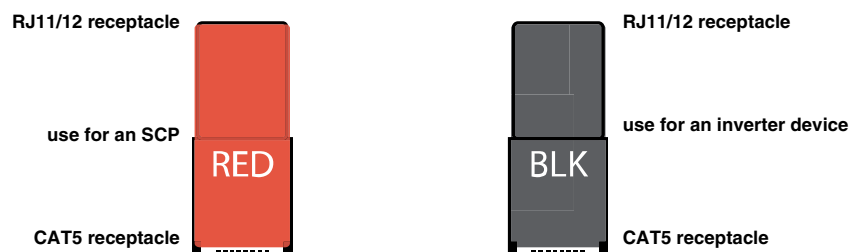
THIS INSTALLATION GUIDE IS IN ADDITION TO, AND INCORPORATES BY REFERENCE, THE RELEVANT PRODUCT MANUALS FOR EACH PRODUCT IN THE FREEDOM 458, FREEDOM SW, AUTOMATIC GENERATOR START (AGS), AND SYSTEM CONTROL PANEL (SCP). BEFORE REVIEWING THIS INSTALLATION GUIDE YOU MUST READ THE RELEVANT PRODUCT MANUALS. UNLESS SPECIFIED, INFORMATION ON SAFETY, SPECIFICATIONS, INSTALLATION, AND OPERATION IS AS SHOWN IN THE PRIMARY DOCUMENTATION RECEIVED WITH THE PRODUCT. ENSURE YOU ARE FAMILIAR WITH THAT INFORMATION BEFORE PROCEEDING.

Introduction

The Freedom SW Remote Adapters (TEL to Xanbus cable) allow Xanbus-enabled devices to establish a Xanbus network using a 4 pin RJ11 (a regular telephone cable) or a 6 pin RJ12 cable (a Xantrex remote cable) that comes supplied and installed in many recreational vehicles and in pleasure crafts. One cable is red and the other is black.

When installing the Xantrex Freedom SW inverter/charger, normally a new Xanbus network cable (CAT5 patch cable) must also be installed for the inverter to communicate with SCP and other Xanbus devices. However, the recreational vehicle may already have a control panel installed with a regular telephone cable (or a Xantrex remote cable). Replacing the existing telephone cable with a new Xanbus network cable may not be practical. The Freedom SW Remote Adapters present a cost-effective solution to reuse the existing telephone cable to establish a Xanbus network with a new Freedom SW inverter.

The Freedom SW Remote Adapters are provided with a pair of 12" CAT5 patch cables for use with Xanbus-enabled devices.



The black Freedom SW Remote Adapter must be used to connect to a Freedom SW inverter/charger unit.

NOTE: A Xanbus AGS is normally mounted very close to the inverter/charger unit therefore, installing a new Xanbus network cable to the AGS should be easy. See Figure 3 and Figure 4.

The red Freedom SW Remote Adapter must be used to connect to the System Control Panel (SCP).

RJ11/RJ12 Cable Polarity Test

Before using the Freedom SW Remote Adapters to establish a Xanbus network using an RJ11/RJ12 cable you must check the polarity of the RJ11/RJ12 cable in your vehicle. Disconnect all AC and DC power sources to the Xanbus-enabled inverter, inverter/charger, or SCP devices before installing the Freedom SW Remote Adapters.

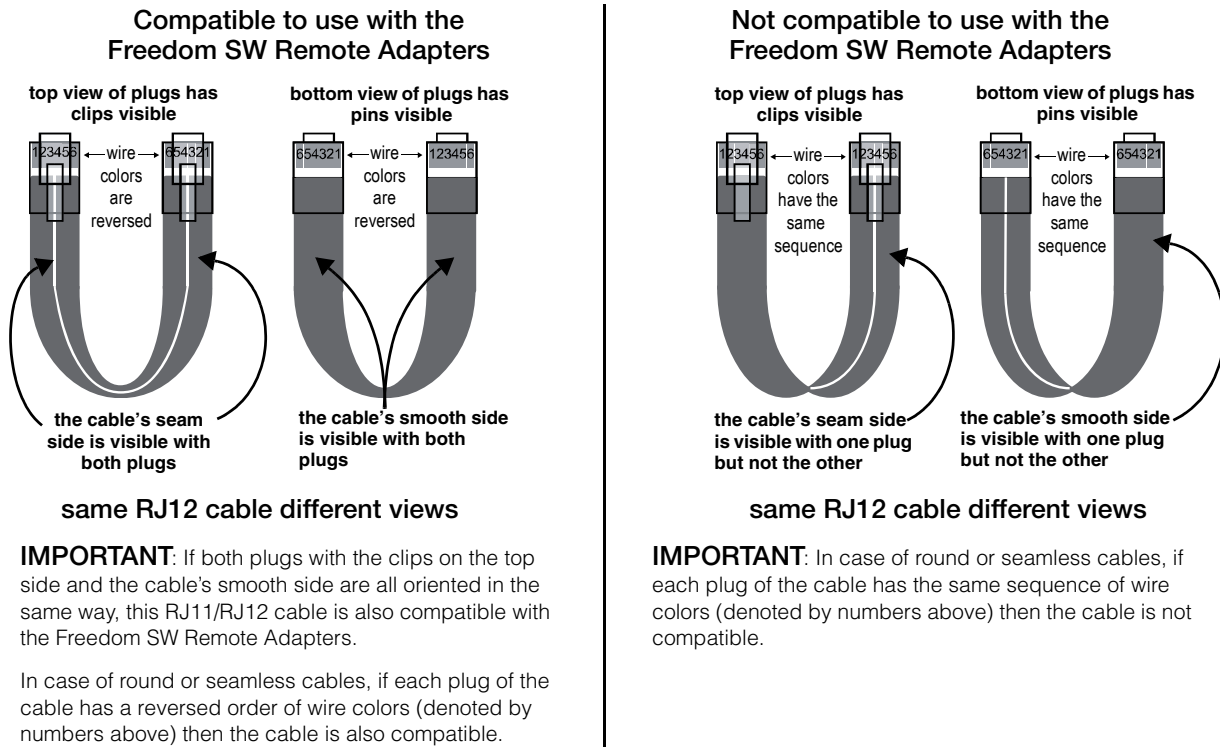


Figure 1 Two Examples of RJ12 Cable Configurations

NOTICE

RISK OF EQUIPMENT DAMAGE

Do not use an incompatible RJ11/RJ12 cable with a Freedom SW Remote Adapter to connect to a System Control Panel (SCP).

Failure to follow these instructions can result in damage to equipment.

Install Freedom SW Remote Adapters

Establish a Xanbus network configuration using the following diagrams.

NOTE: Always terminate a Xanbus network with network terminators.

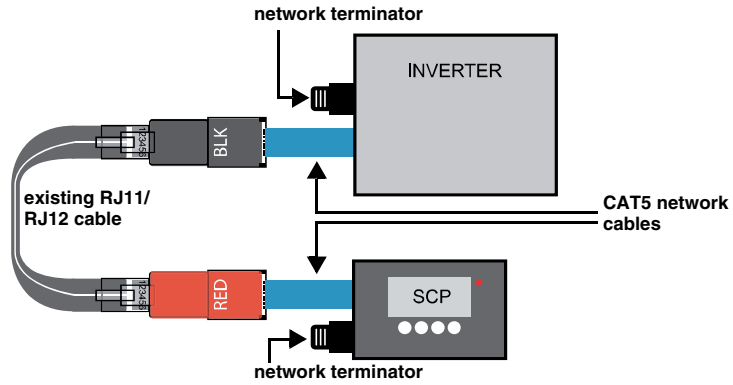
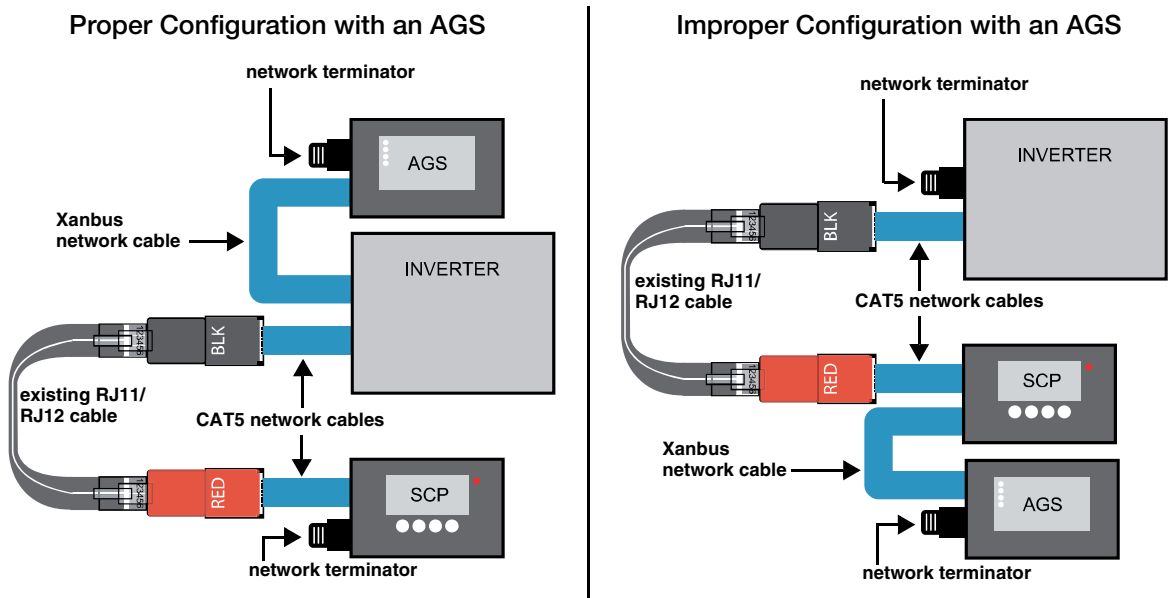


Figure 2 Inverter and SCP Xanbus Network



NOTE: Always terminate a Xanbus network with network terminators.

Figure 3 Inverter, SCP, and AGS Xanbus Network

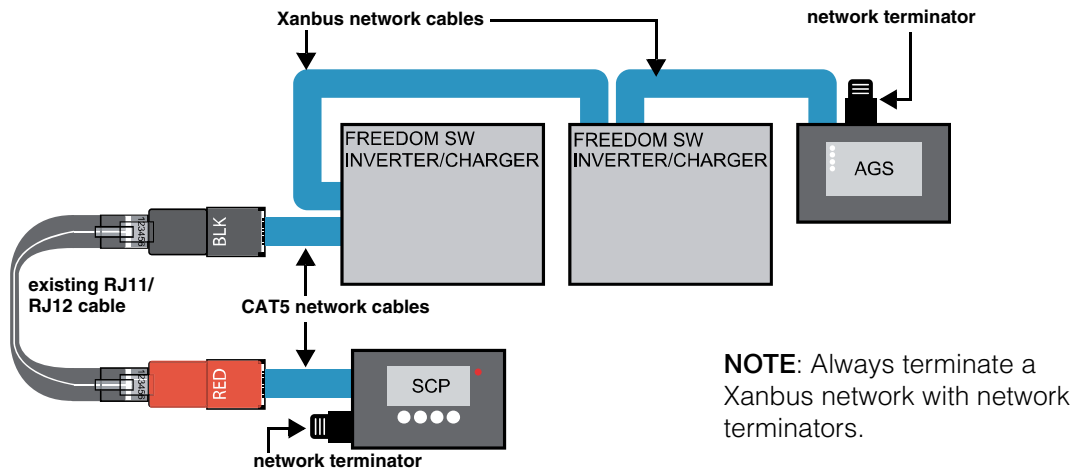


Figure 4 Freedom SW units, AGS, and SCP Xanbus Network

Copyright © 2014 Schneider Electric. All Rights Reserved.

All trademarks are owned by Schneider Electric Industries SAS or its affiliated companies.

Exclusion for Documentation

UNLESS SPECIFICALLY AGREED TO IN WRITING, SELLER

(A) MAKES NO WARRANTY AS TO THE ACCURACY, SUFFICIENCY OR SUITABILITY OF ANY TECHNICAL OR OTHER INFORMATION PROVIDED IN ITS MANUALS OR OTHER DOCUMENTATION; (B) ASSUMES NO RESPONSIBILITY OR LIABILITY FOR LOSSES, DAMAGES, COSTS OR EXPENSES, WHETHER SPECIAL, DIRECT, INDIRECT, CONSEQUENTIAL OR INCIDENTAL, WHICH MIGHT ARISE OUT OF THE USE OF SUCH INFORMATION. THE USE OF ANY SUCH INFORMATION WILL BE ENTIRELY AT THE USER'S RISK; AND (C) REMINDS YOU THAT IF THIS DOCUMENTATION IS IN ANY LANGUAGE OTHER THAN ENGLISH, ALTHOUGH STEPS HAVE BEEN TAKEN TO MAINTAIN THE ACCURACY OF THE TRANSLATION, THE ACCURACY CANNOT BE GUARANTEED. APPROVED CONTENT IS CONTAINED WITH THE ENGLISH LANGUAGE VERSION WHICH IS POSTED AT www.schneider-electric.com.

Date: August 2014

Revision: Rev A

Part Number: 808-9010

Document Number: 975-0731-01-01

Contact Information

www.xantrex.com