

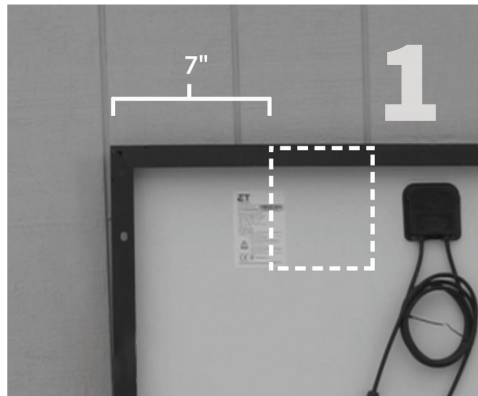
Quick Rack™

QM-EFM Enphase® 33mm, 35mm, & 40mm Frame Mount

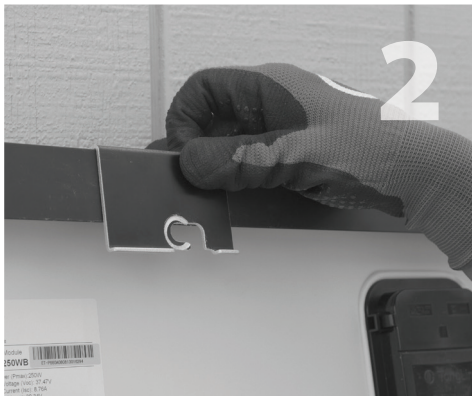


Enphase® Frame Mount Installation Instructions

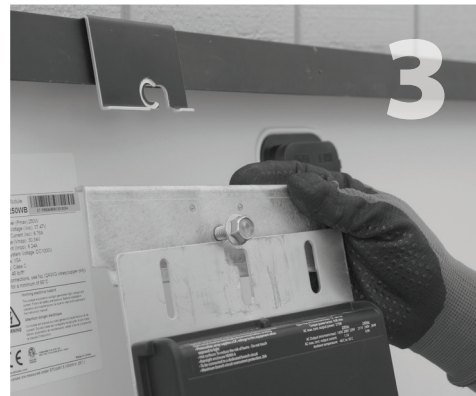
Installation Tools Required: wire clips, 1/2" socket & torque wrench



In a standard landscape array, the Enphase inverter bracket will be installed approximately 7" in from the edge of the module.



Place the bracket clamp over the edge of the module frame.



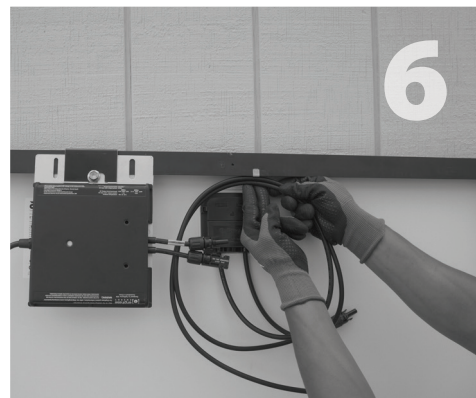
With the cap screw threaded into the channel on the bracket, slide the Enphase inverter on top of the bracket with the cap screw in the middle channel on the inverter.



Slide the entire unit up under the bracket clamp, and then slightly to the left so that the cap screw holds everything together.



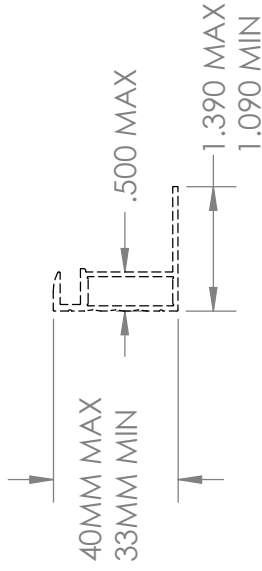
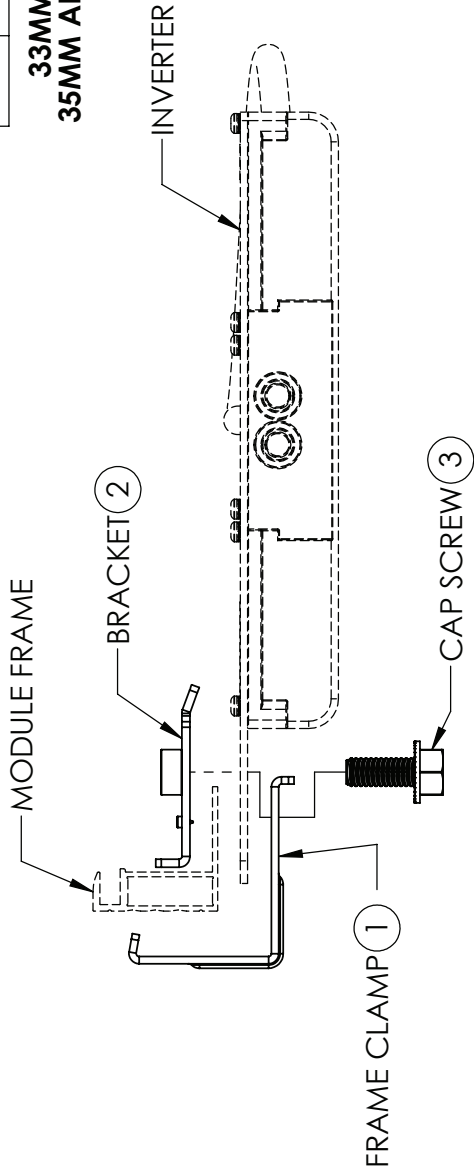
Tighten the cap screw with a half-inch socket and torque wrench. Torque to 15 foot-pounds.



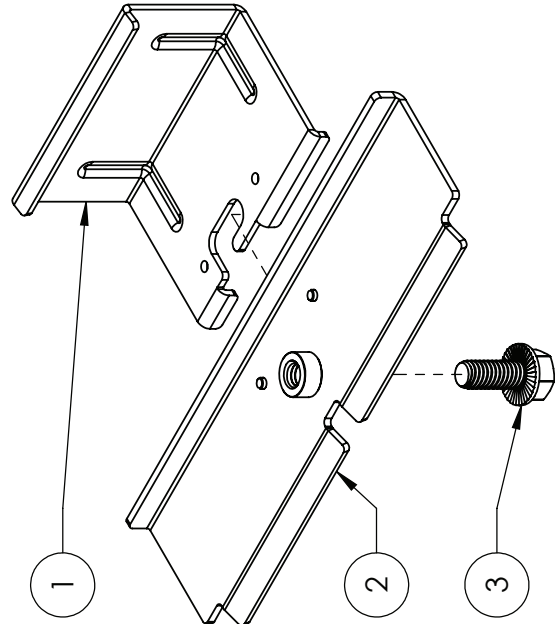
Neatly coil the wires and clip to module frame.

ITEM NO.	DESCRIPTION	QTY.
1	ACCESSORY FRAME CLAMP, 35MM, 5005-H34, BRONZE	1
2	QR ENPHASE BRACKET, FLAT LID, 5052-H32, MILL	1
3	CAP SCREW, SERRATED FLANGE, HEX HEAD, 5/16"-18 X 3/4", UNC-2A, 18-8SS	1

**33MM AVAILABLE IN BRONZE AND MILL FINISHES.
35MM AND 40MM AVAILABLE IN BRONZE ONLY FINISH.**



MODULE FRAME DIMENSIONS



Quick Mount PV

TITLE:
**QM-EFM: ENPHASE® FRAME
MOUNT ASSEMBLY, FLAT LID**

UNLESS OTHERWISE SPECIFIED: DIMENSIONS ARE IN INCHES TOLERANCES: FRACTIONAL ± 1/8 TWO PLACE DECIMAL ±.18 THREE PLACE DECIMAL ±.125	SIZE	DRAWN BY:	RAD	REV
	A	DATE:	2/5/2016	2
SCALE: 1:2		WEIGHT: 4.7109		SHEET 1 OF 1

DO NOT SCALE DRAWING

PROPRIETARY AND CONFIDENTIAL
THE INFORMATION CONTAINED IN THIS DRAWING IS THE SOLE PROPERTY OF QUICK MOUNT PV. ANY REPRODUCTION IN PART OR AS A WHOLE WITHOUT THE WRITTEN PERMISSION OF QUICK MOUNT PV IS PROHIBITED.



925-478-8269 | www.quickmountpv.com | tech@quickmountpv.com

2700 Mitchell Dr. | Walnut Creek, CA 94598