



## 24VDC PURE SINE INVERTER CHARGER

2400W | 3600W



Cube



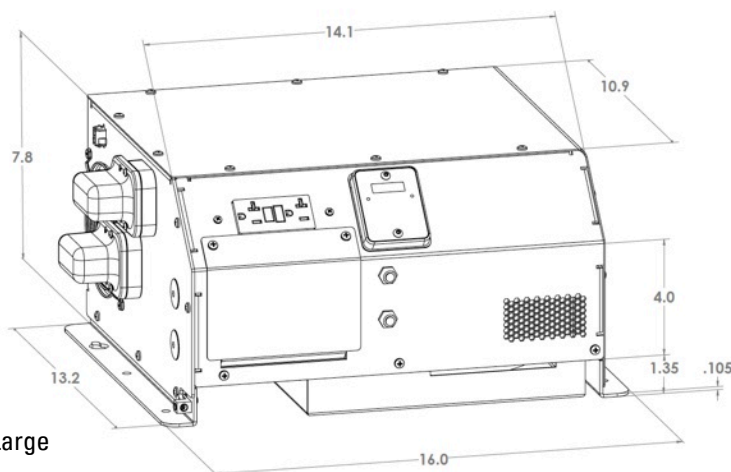
Large

### THE NEXT GENERATION

The NP Series is our newest 24VDC Pure Sine Inverter Charger line that is unrivaled in capability by any device in the industry. Take some time to learn about this industry innovator. These Dimensions inverter chargers are UL listed so you can be confident in our consistent quality. We back that assertion up with an unparalleled 4 Year Warranty including 2 years of Advanced Replacement coverage.

### FEATURES

- Power Factor Corrected Charging, Wet, AGM, Gel
- Wide Operating Temperature Range (0F to 149F)
- Easy Wiring
- 7-Segment LED Display with Battery Voltage Readout and Diagnostics
- Automatic short circuit/overload protection
- Built-in AC Transfer Switch
- Dead battery charging, 0V minimum start
- Thermally Controlled Cooling Fan
- GFCI outlet protection
- LED indication of External power, Inverter power, Low input voltage, High temperature, & Overload
- Automatic electronic short circuit/overload protection/sleep-mode
- Automatic over temperature shutdown
- Output circuit breakers
- Automatic low battery shutdown at 10.5 VDC (with in-rush delay)
- Programmable charger AC input current maximum with automatic load management regulation
- Chassis design optimized for utility bodies



Large

## POWER SPECIFICATIONS

	SPECIFICATION	TYPE	24NP24	24NP36
Output	Waveform	Shape	Pure sine wave, <5% THD typical	
	Continuous Power	Watts	2400	3600
	Peak Power	Watts	5000	8000
	Voltage	VAC	120 ±3%	
	Continuous Current	Amps AC	20	30
	Peak Current	Amps AC	55	100
	Frequency	Hz	60 Hz ± 0.05%	
	Motor Starting Rating	hp	1 1/2	2
Input	Nominal VDC	VDC	24	
	Voltage Range	VDC	21-30	
	Nominal Current	Amps DC	Up to 114	Up to 167
Properties	Chassis	Size	Cube	Large
	Warranty	Years	4 Years, Advance Replacement first 2 years	
	Temperature	Degrees	-20° to 65° C (0° to 149° F)	
	Efficiency	Percent	Up to 88%	
	Weight	lbs	40	68
	DIMENSIONS	L x W x H	12 x 14.5 x 5.7	14.8 x 17.1 x 8
Battery Charger	Battery Charger		Power Factor Corrected, 3-Step, Temperature Compensated	
	Output Current	Amps DC	75	90
	Input Current	Amps AC	19.4	22.6
	Bypass Relay	Amps AC	30	