

## FEATURES:

Easy installation

Low cost, high efficiency solution

NEC 2017 and 2020 PVRSS compliant



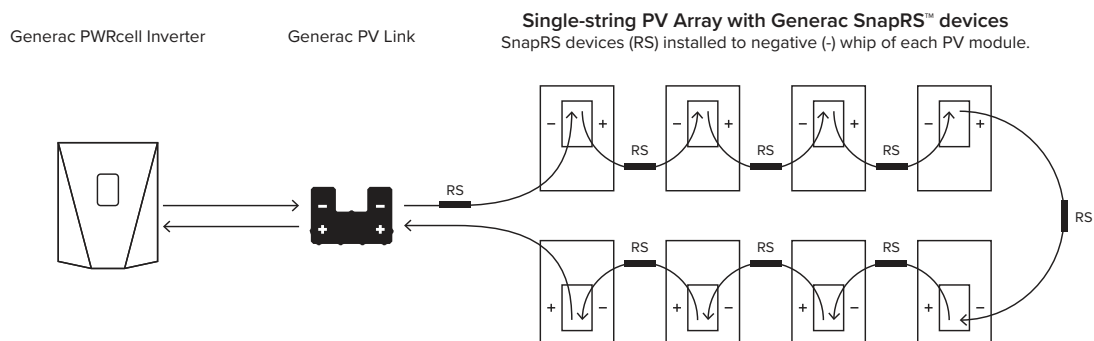
# SnapRS™

Instant Rapid Shutdown Compliance  
Model: RS801

The Generac SnapRS is NEC 2017 compliant, and doesn't require any extra hardware to mount, no pairing and no fussy digital communications. Just snap a Generac SnapRS disconnect device to each PV module for total rapid shutdown performance. When signaled by the inverter, SnapRS units break the PV circuit, reducing array voltage to <80V in seconds.

## SYSTEM DESIGN

Snap a Generac SnapRS disconnect device to the negative whip (-) of each module in the solar array for simple NEC-2017 module-level rapid shutdown compliance. SnapRS devices isolate array voltage when a rapid shutdown command is given by a connected Islanding Inverter



## ADDITIONAL FEATURES

- Fast, easy and simple to install
- One SnapRS device per PV module
- Achieves PVRSS Compliance
- Low cost, high efficiency solution

# Specifications



## SNAPRS (RS801)

|                   |              |                       |              |
|-------------------|--------------|-----------------------|--------------|
| PV MODULE MAX VOC | 75 V         | OPERATING TEMPERATURE | -40 to 70 °C |
| EFFICIENCY        | 99.9 %       | CERTIFICATIONS        | UL1741       |
| MAX INPUT CURRENT | 13 A         | WEIGHT                | 100 g        |
| SHUTDOWN TIME     | < 10 Seconds | DIMENSIONS (L,W,H)    | 1" x 1" x 7" |
| ENCLOSURE RATING  | NEMA 6P      | WARRANTY              | 25 Years     |

*Specifications subject to change without notice.*